

10/100 BASE-T MAGNETICS MODULES

P/N: H2002DG DATA SHEET



Feature

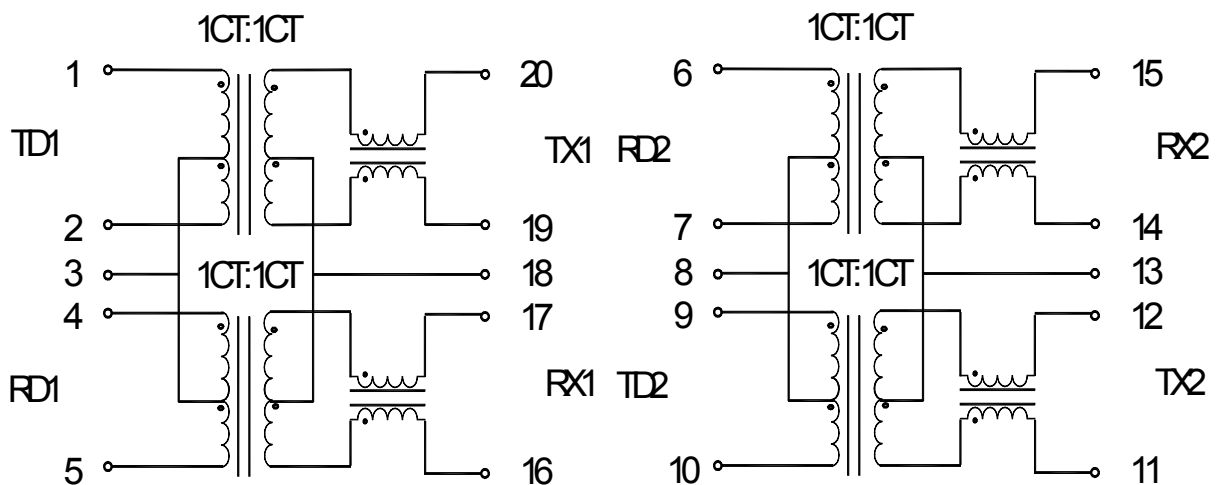
- Quad Port transformer Modules (10/100 Base-TX) for Auto MDI/MDIX applications.
- Compatible with IEEE 802.3 and ANSI X3.236 standard including baseline wander compensation specification OF 350uH OCL when Biased at 8mA from 0°C to 70°C.
- Available in Through Hole package.
- Operating Temperature range: 0°C to +70°C.
- Storage temperature range: -25°C to +125°C.



Electrical Specifications @ 25°C				
Part Number	Turns Ratio (±5%)		OCL (uH Min) @100KHz/0.1V with8mA	HI-POT (Vrms)
	TX	RX		
H2002DG	1CT:1CT	1CT:1CT	350	1500

Continue							
Part Number	Insertion Los (dB Max)	Cross Talk (dB Min)	Return Loss (dB Min)@Load 100Ω				DCMR (dB Min)
			0.5-30MHz	40MHz	60MHz	80-100MHz	
H2002DG	1-100 MHz	0.1-100MHz	-18	-15	-13	-11	0.1-100MHz
	-1.1	-40					-40

Schematic



10/100 BASE-T MAGNETICS MODULES
P/N: H2002DG DATA SHEET

Q-TEK

Mechanical

