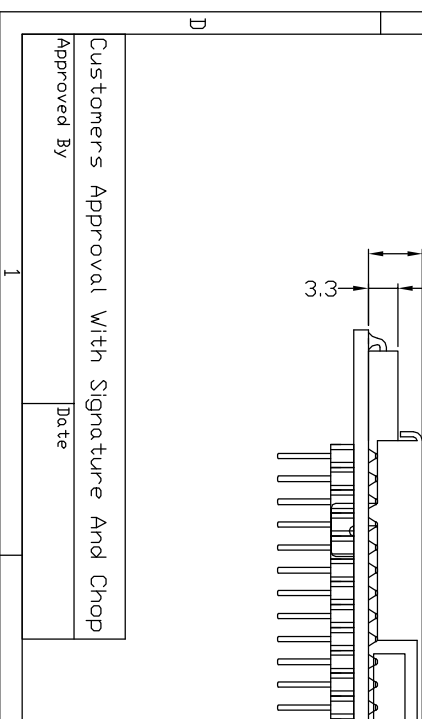
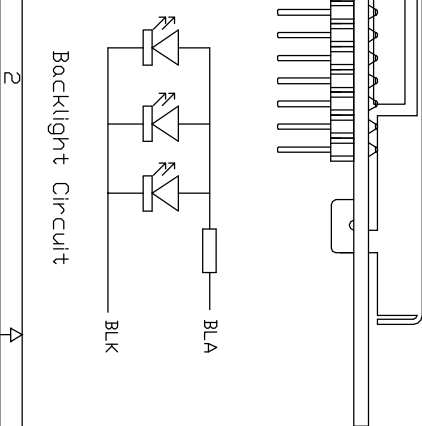


No.	Pin Name	Terminal
1	VSS	
2	VDD	
3	NC	
4	A0	
5	NC	
6	NC	
7	SCLK	
8	DATA	
9	/RES	
10	NC	
11	NC	
12	NC	
13	NC	
14	NC	
15	/CS	
16	NC	
17	NC	
18	NC	
19	BLK	
20	BLA	

Specifications:

- 1) LCD Display Type : STN-Y/G,Positive,
- 2) Polarizer : Transmlssive
- 3) Viewing Direction : 6 O'CLOCK
- 4) Drive Method : 1/64Duty, 1/9Bias
- 5) Operating Voltage : VDD=3.3V or 5.0V
- 6) Operating Temperature : -10°C~60°C
- 7) Storage Temperature : -20°C~70°C
- 8) Controller/Driver IC : ST7565
- 9) Backlight : Yellow or Green LED, 30mA~45mA



Customers Approval With Signature And Chop

Approved By _____ Date _____

IRUSTY 銳思迪

Dwg Title: **T12864M093A**

Scale: _____ Unit: mm Tol: ±0.2 Dwg No: 05312015 REV: 00

Drawn: LMX Checked: _____ Approved: _____ Date: 2012-05-31