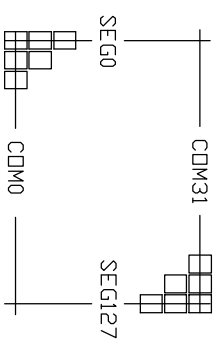
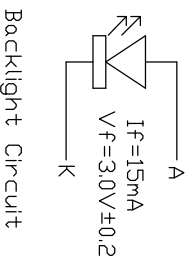
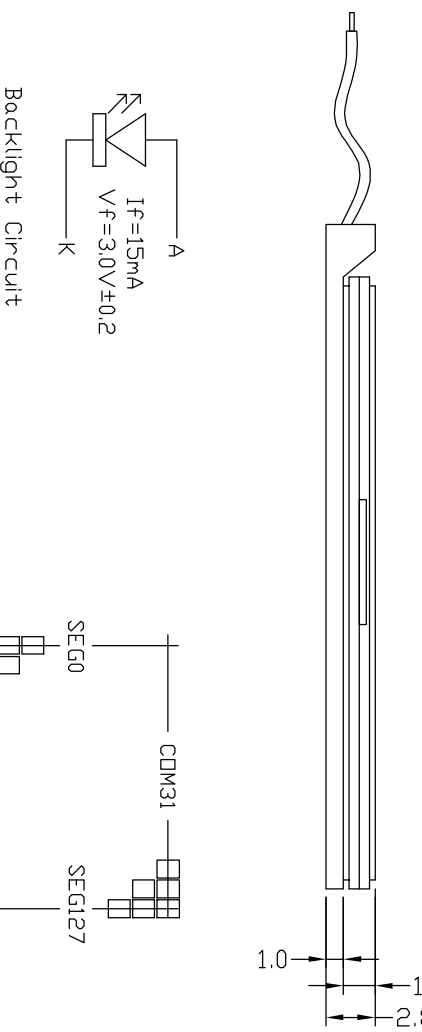
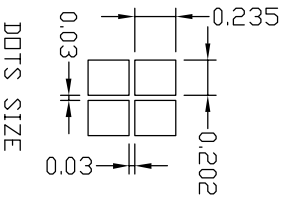
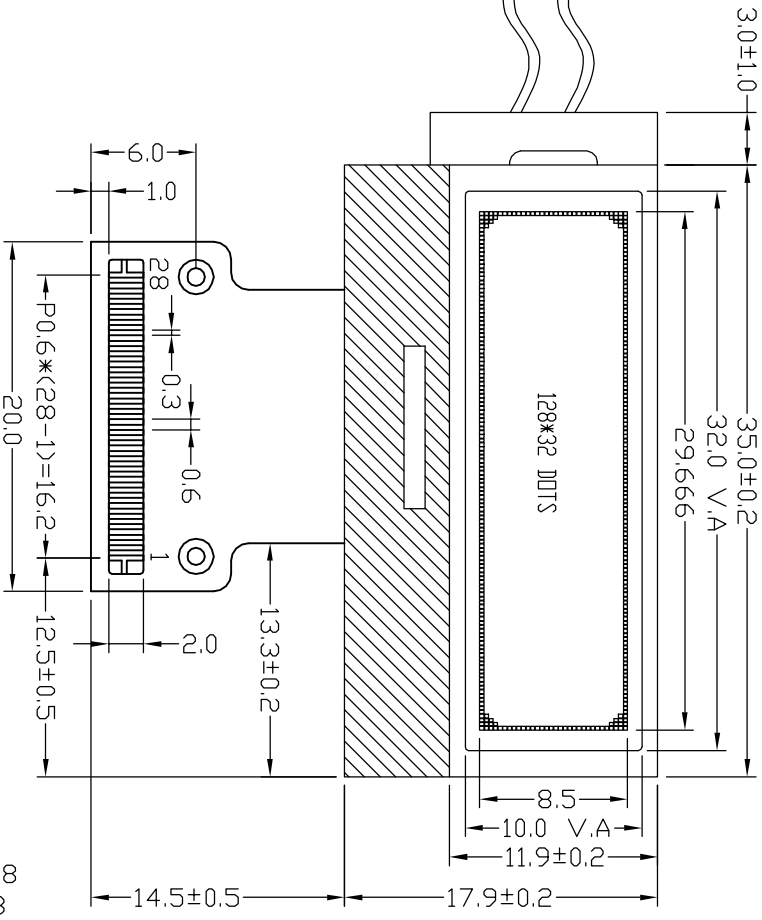
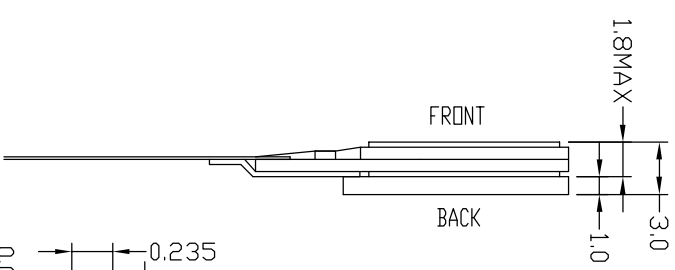


PIN FUNCTION			
PIN	SYMBOL	PIN	SYMBOL
1	CS1B	15	VOUT
2	/RES	16	CAP3P
3	A0	17	CAP1N
4	/WR	18	CAP1P
5	/RD	19	CAP2P
6	D0	20	CAP2N
7	D1	21	V0
8	D2	22	V1
9	D3	23	V2
10	D4	24	V3
11	D5	25	V4
12	D6(SCL)	26	VSS
13	D7(SI)	27	P/S
14	VSS	28	VDD



- Specifications:
- 1) LCD Display Type : FSTN,Positive,
 - 2) Polarizer : Transflective
 - 3) Viewing Direction : 6 O'CLOCK
 - 4) Drive Method : 1/33Duty; 1/6Bias
 - 5) Operating Voltage : VDD=3.3V
 - 6) Operating Temperature : -20°C~70°C
 - 7) Storage Temperature : -30°C~80°C
 - 8) Controller/Driver IC : ST7565
 - 9) Backlight : Blue LED

Customers Approval With Signature And Chop
 Approved By _____ Date _____



Dwg Title	T12832C001-F6B-CK06			REV	00
Scale	Unit	Tol.	Dwg No.	Date	
	mm	±0.2	04051617	2010-04-05	
Drawn	Checked	Approved			
Lmx					